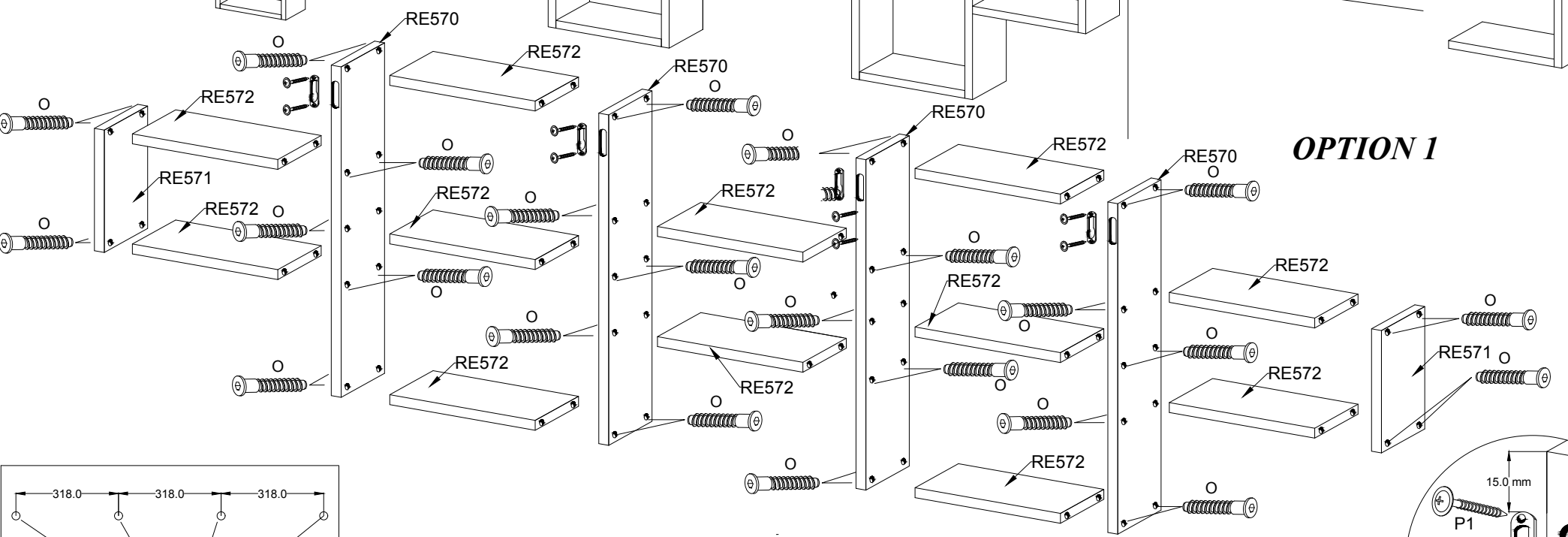
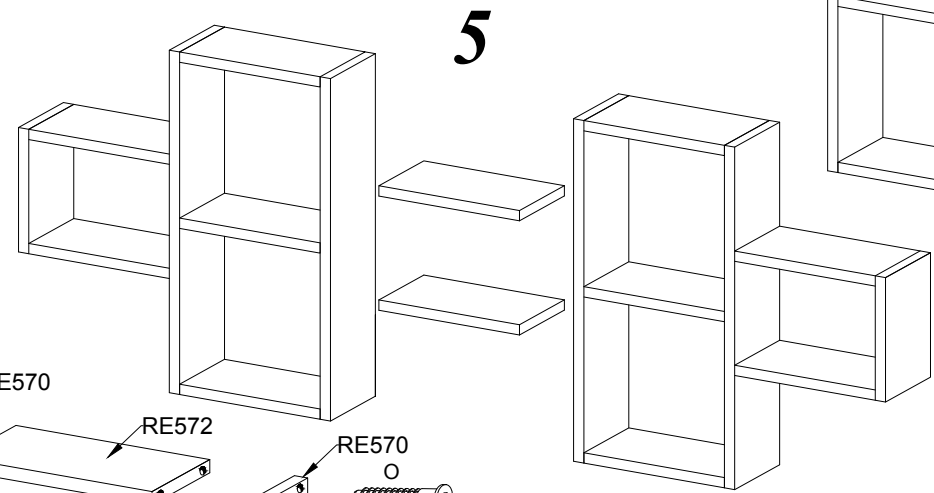
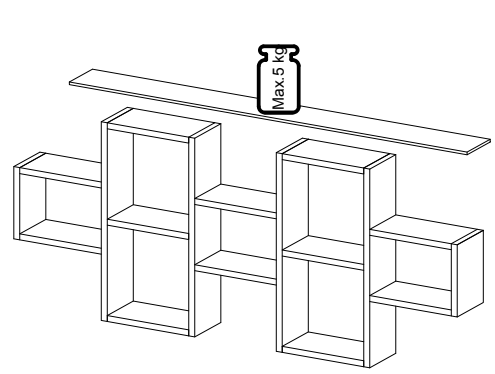
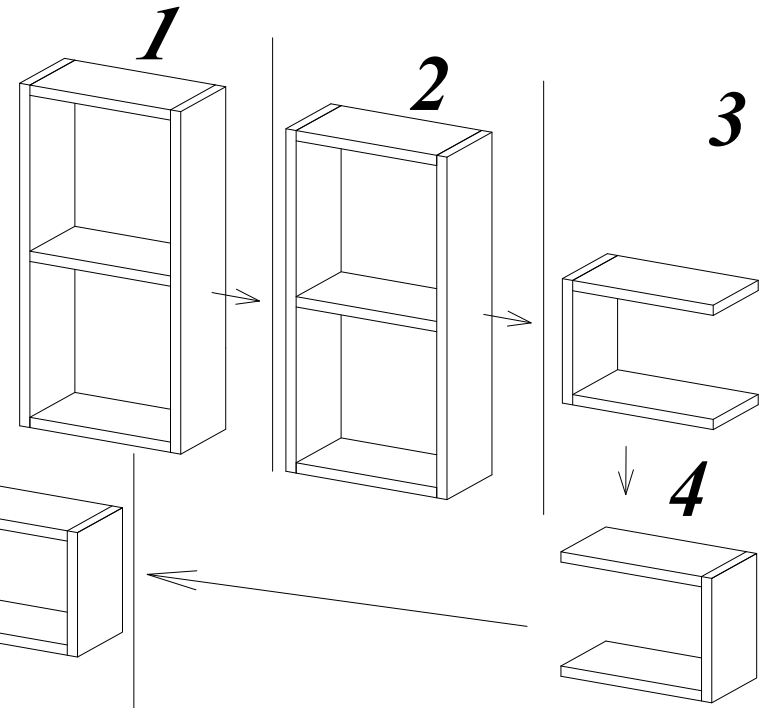
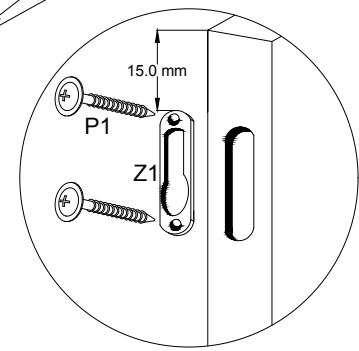
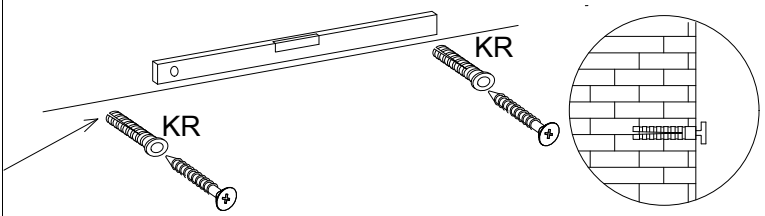
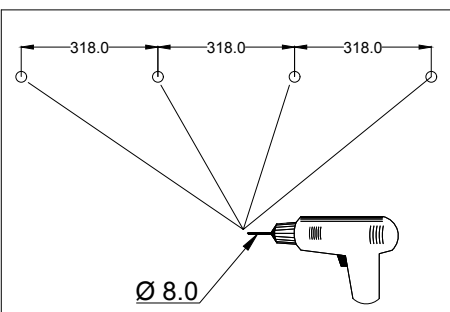
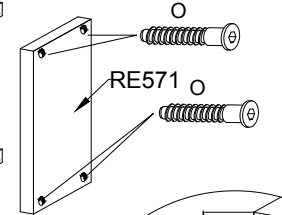


7.0x50 O 48	X1 48	Ø8.0x50 KR 4	3.0x20 P1 8	B 1	B1 1	Z1 4	J 4	W 1	3.5x13 P2 1
-------------------	----------	--------------------	-------------------	--------	---------	---------	--------	--------	-------------------



OPTION 1



OPTION 2

